

F5

F5

| | |
|-----------------|---|
| Characteristics | <ul style="list-style-type: none"> ■ small size ■ long mechanical and electrical life ■ PCB mounting |
| Rating | 250 VAC, 5 A |
| Dimensions (mm) | 12.8 × 7 × 5 |
| Actuator | <ul style="list-style-type: none"> ■ plunger ■ plain lever ■ simulated roller lever/cam follower |
| Approvals | UL, CSA |



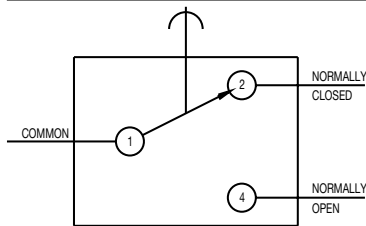
P referred Range

| Ordering Reference | Actuating Force (N) (ozf) | | Sealing | Operating pos. (mm) (in) | | Terminal | Circuit | Actuator | Contacts | Electrical rating |
|--------------------|---------------------------|------|---------|--------------------------|------|----------|---------|------------------|------------|--------------------|
| F5T8UL | 1.4 | 5.00 | IP40 | 8.75 | 0.34 | PCB | CO | Plunger | Ag | Up to 250 VAC, 5 A |
| F5T8GPUL | 1.4 | 5.00 | IP40 | 8.75 | 0.34 | PCB | CO | Plunger | Gold plate | Up to 250 VAC, 5 A |
| F5T8Y1UL | 0.6 | 2.20 | IP40 | 8.80 | 0.35 | PCB | CO | Plain lever | Ag | Up to 250 VAC, 5 A |
| F5T8Y1GPUL | 0.6 | 2.20 | IP40 | 8.80 | 0.35 | PCB | CO | Plain lever | Gold plate | Up to 250 VAC, 5 A |
| F5T8YCUL | 0.7 | 2.50 | IP40 | 10.90 | 0.43 | PCB | CO | Simulated roller | Ag | Up to 250 VAC, 5 A |
| F5T8YCGPUL | 0.7 | 2.50 | IP40 | 10.90 | 0.43 | PCB | CO | Simulated roller | Gold plate | Up to 250 VAC, 5 A |

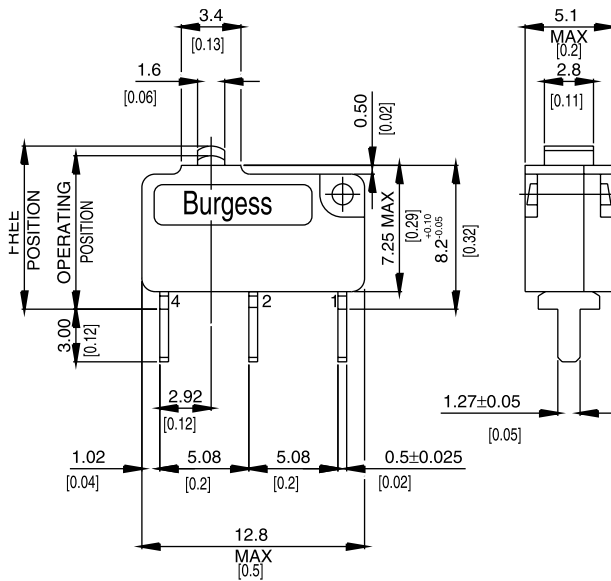
Specifications

| | |
|----------------------|---|
| Housing | Glass fibre reinforced flame retardent nylon |
| Plunger | Nylon |
| Mechanism | Snap-action, single pole |
| Functions | Change-over, Normally open, Normally closed |
| Contacts | Fixed, Moving - Silver or Gold plate on silver |
| Terminals | PCB - Brass, gold flashed |
| Temperature range °C | -40°C to +85°C |
| Mechanical life | 10 ⁷ cycles minimum (impact free actuation) |
| Protection | IP 40 (enclosure) |
| Mounting | PCB |
| Actuators | Plain lever, simulated roller lever/cam follower, stainless steel |

Circuit diagram



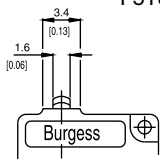
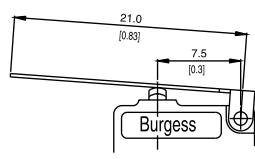
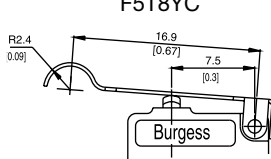
Dimensions



Recommended maximum electrical ratings

| Voltage (max) | Load (A) | Approval |
|---------------|-------------|--|
| 250 VAC | 5 (0.75 pf) | UL 1054/CSA 22.2 No. 55 - 6,000 operations |
| 125 VAC | 5 (0.75 pf) | UL 1054/CSA 22.2 No. 55 - 6,000 operations |
| 0 - 15 VDC | 5 | General rating - 50,000 operations |
| 15 - 30 VDC | 1 | General rating - 50,000 operations |

Operating Characteristics

| Actuator | Reference | Actuating Force | | Release Force | | Free Position | | Operating Position | | Movement Differential | | Over travel |
|---|-----------|-----------------|-------|---------------|-------|---------------|------|--------------------|--------------|-----------------------|-------|-------------|
| | | Maximum (N) | (ozf) | Minimum (N) | (ozf) | Maximum (mm) | (in) | (mm) | (in) | Maximum (mm) | (in) | |
| Plunger | F5T8 | 1,4 | 5,00 | 0,25 | 0,90 | 9.5 | 0,37 | 8,75 ± 0,3 | 0,34 ± 0,012 | 0,13 | 0,005 | * |
|  | | | | | | | | | | | | |
| Y1-Lever | F5T8Y1 | 0,6 | 2,20 | 0,07 | 0,25 | 10,7 | 0,42 | 8,8 ± 1,1 | 0,35 ± 0,04 | 0,70 | 0,030 | * |
|  <p>Width of lever 3.0 mm/0.12 in</p> | | | | | | | | | | | | |
| YC-Lever | F5T8YC | 0,7 | 2,50 | 0,09 | 0,32 | 12.4 | 0,49 | 10,9 ± 0.85 | 0,43 ± 0,03 | 0,45 | 0,020 | * |
|  <p>Width of lever 3.0 mm/0.12 in</p> | | | | | | | | | | | | |

Operating characteristics are specified from the terminal shoulder.

* Plunger can be depressed flush with housing. The housing should not be used as an end stop.

Ordering Reference

| | | | | | | | |
|------------------|--------------------------|---|-----------------------|----|----|----|----|
| Basic type | F5 | Example: F5 | | T8 | Y1 | GP | UL |
| Terminals | T8 | PCB | 1.27 × 0.5 × 3.0 long | | | | |
| Circuit | No symbol, change-over | | | | | | |
| Actuators | No symbol, without lever | | | | | | |
| | Y1 | Plain lever 21.0 mm | | | | | |
| | YC | Cam follower lever 16.9 mm | | | | | |
| Contact Material | GP | No symbol, Ag | | | | | |
| | | Gold plate on Ag (GP) | | | | | |
| Approvals | UL | No symbol, without approval | | | | | |
| | | UL and CSA approval | | | | | |
| Special Features | /□□□□ | Burgess specialise in customer specific solutions. Additional product variants are available or can be provided. If your requirements cannot be satisfied from the options listed, please contact us. | | | | | |