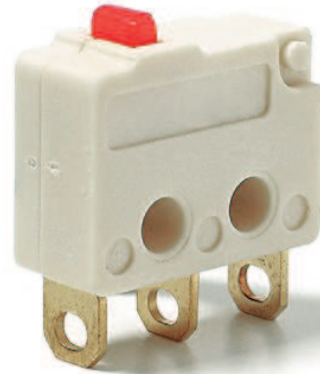


## F4

### F4

Characteristics	<ul style="list-style-type: none"> <li>■ small size</li> <li>■ long mechanical and electrical life</li> <li>■ solder terminals</li> </ul>
Rating	250 VAC, 5 A
Dimensions (mm)	12.8 × 10 × 5
Actuator	<ul style="list-style-type: none"> <li>■ plunger</li> <li>■ plain lever</li> <li>■ simulated roller lever/cam follower</li> </ul>
Approvals	UL, CSA



### Preferred Range

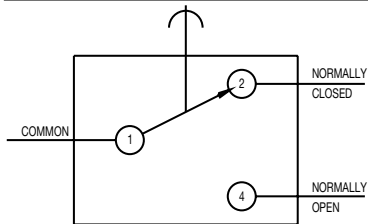
Ordering Reference	Actuating Force (N) (ozf)		Sealing	Operating pos. (mm) (in)		Terminal	Circuit	Actuator	Contacts	Electrical rating
F4T7UL	1.4	5.00	IP40	8.1	0.32	Solder	CO	Plunger	Ag	Up to 250 VAC, 5 A
F4T7GPUL	1.4	5.00	IP40	8.1	0.32	Solder	CO	Plunger	Gold plate	Up to 250 VAC, 5 A
F4T7Y1UL	0.6	2.20	IP40	8.2	0.32	Solder	CO	Plain lever	Ag	Up to 250 VAC, 5 A
F4T7Y1GPUL	0.6	2.20	IP40	8.2	0.32	Solder	CO	Plain lever	Gold plate	Up to 250 VAC, 5 A
F4T7YCUL	0.7	2.50	IP40	10.3	0.41	Solder	CO	Simulated roller	Ag	Up to 250 VAC, 5 A
F4T7YCGPUL	0.7	2.50	IP40	10.3	0.41	Solder	CO	Simulated roller	Gold plate	Up to 250 VAC, 5 A

# F4

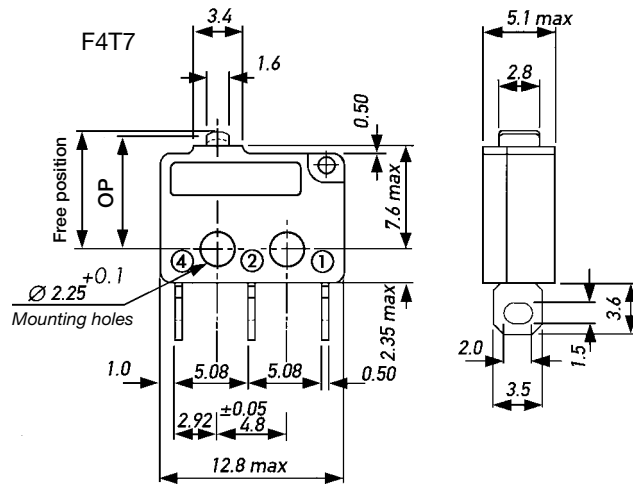
## Specifications

Housing	Glass fibre reinforced flame retardent nylon
Plunger	Nylon
Mechanism	Snap-action, single pole
Functions	Change-over, Normally open, Normally closed
Contacts	Fixed, Moving – Ag or Gold plate on Ag
Terminals	2.0 mm (0.08 in) faston and solder - brass, gold flashed
Temperature range °C	-40°C to +85°C
Mechanical life	10 <sup>7</sup> cycles minimum (impact free actuation)
Protection	IP 40 (enclosure)
Mounting	Side mounting
Actuators	Plain lever, simulated roller lever/cam follower, stainless steel
Accessories	Lug mounting frame, insulating sheet, spring-leaf actuator

Circuit diagram



Dimensions



## Recommended maximum electrical ratings

Voltage Load Approval  
( max) (A)

250 VAC	5 (0.75 pf)	UL 1054/CSA 22.2 No. 55 - 6,000 operations
125 VAC	5 (0.75 pf)	UL 1054/CSA 22.2 No. 55 - 6,000 operations
0 - 15 VDC	5	General rating - 50,000 operations
15 - 30 VDC	3	General rating - 50,000 operations

## Operating Characteristics

Actuator Reference	Actuator Reference	Force (N)	Force (ozf)	Release Position Minimum (N)	Release Position (ozf)	Free Operation Position (mm)	Free Operation Position (in)	On Differential Maximum (mm)	On Differential Maximum (in)	Travel (mm)	Travel (in)	Over Movement (mm)	Over Movement (in)	
Plunger	F4T7	1,4	5,00	0,25	0,90	8,8	0,35	8,1	+0.3 -0.2	0,32	+0.01 -0.008	0,13	0,005	*
Y1-Lever	F4T7Y1	0,6	2,20	0,07	0,25	10,0	0,39	8,2	+1.0 -0.7	0,32	+0.04 -0.03	0,70	0,030	*
<p>Width of lever 3.0 mm/0.12 in</p>														
YC-Lever	F4T7YC	0,7	2,50	0,09	0,32	11,7	0,46	10,3	+0.8 -0.55	0,41	+0.03 -0.02	0,45	0,020	*
<p>Width of lever 3.0 mm/0.12 in</p>														

Operating characteristics are specified from the mounting holes.

\* Plunger can be depressed flush with housing. The housing should not be used as an end stop.

## Ordering Reference

Basic type	F4	Example: F4   T7   Y1   GP   UL		
Terminals	T7	Solder	3.50 × 0.5 × 3.6 long	
Circuit		No symbol, change-over		
Actuators	Y1	No symbol, without lever		
	YC	Plain lever 21.0 mm		
		Cam follower lever 16.9 mm		
Contacts Material	GP	No symbol, Ag		
		Gold plate on Ag (GP)		
Approvals	UL	No symbol, without approval		
		UL and CSA approval		
Special Features	/□□□□	<b>Burgess specialise in customer specific solutions.</b> Additional product variants are available or can be provided. If your requirements cannot be satisfied from the options listed, please contact us.		