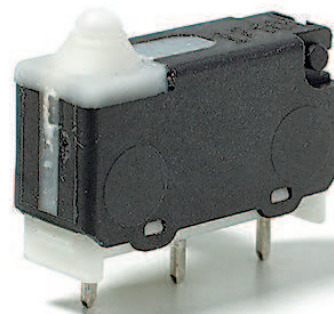


L16

L16

Characteristics	<ul style="list-style-type: none"> ■ small size ■ sealed (IP6K7) ■ PCB mounting
Rating	12–30 VDC, 1–300 mA
Dimensions (mm)	14.7 × 9 × 5.4
Actuator	<ul style="list-style-type: none"> ■ plunger ■ plain lever ■ cam follow lever
Approvals	Automotive standard



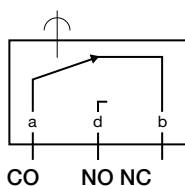
Preferred Range

Ordering Reference	Actuating Force (N)	Sealing	Operating pos. (mm)	Terminal	Circuit	Actuator	Contacts	Electrical rating
L16T85	1,6	IP6K7	10,9	PCB	CO	Plunger	Gold plated	30 VDC, 300 mA

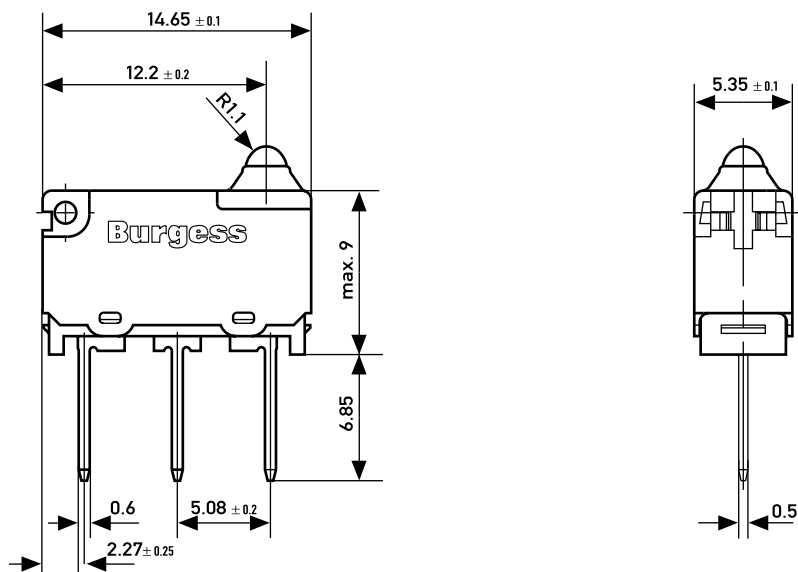
Specifications

Base	PBT
Lid	PP6 with glass fibre
Plunger	POM
Mechanism	Snap-action, single pole
Contacts	Gold plated
Terminals	CuZn silver plated
Temperature range °C	-40°C up to +85°C
Mechanical life	1 × 10 ⁶
Protection	IP67
Actuators	Plain plunger, lever, cam follower stainless steel
Cowl	Thermoplastic elastomer

Circuit diagram



Dimensions

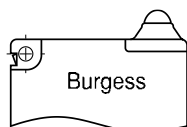


Recommended maximum electrical ratings

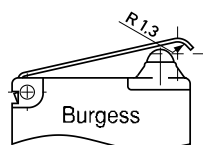
Voltage (VDC)	Resistive load (A)	Cycles
L16 12 to 30	0,001 – 0,3	200.000

Operating Characteristics

Actuator	Reference	Actuating Force Maximum (N)	Release Force Minimum (N)	Free Position Maximum (mm)	Operating Position (mm)	Movement Differential Maximum (mm)	Total travelled positions Minimum (mm)
Plunger	F6T85	1,6	0,2	11.5	10.95 ± 0.25	0,3	9.6



H-Lever	F6T85H	For positions and forces of this actuator please contact Saia Burgess					
		2,5	0,5	13,00	11,4 + 0,55	0,45	10.1



Width of lever 3.0 mm/0.12 in

Datum for free position and operating position is button edge of base (stand-off's).
The case should not be used as an end stop.

Ordering Reference

Basic type	F6	Example: F6 T8 H					
Terminals	T8	PCB	0.6 × 0.5 × 4.0 long				
	T81	Formed PCB	0.6 × 0.5 × 2.35 long (Side mount L.H. plunger end)				
	T82	Formed PCB	0.6 × 0.5 × 2.85 long (Side mount R.H. plunger end)				
	T84	Short PCB	0.6 × 0.5 × 2.0 long				
	T85	Long PCB	0.6 × 0.5 × 6.85 long				
Circuit	No symbol, change-over						
Actuators	No symbol, without lever						
	H	Formed. lever 0.3 mm thickness					
	Y1	Plain lever 21 mm					
	YC	Cam follower lever 16.9 mm					
	HC	Cam follower					
Contact Material	No symbol, Ag, gold plated						
Special Features	/□□□□	Burgess specialise in customer specific solutions. Additional product variants are available or can be provided. If your requirements cannot be satisfied from the options listed, please contact us.					