

XG

Characteristics

- wide range of forces and ratings
- long mechanical and electrical life
- solder, faston, PCB and screw terminals
- compliant to IEC 60335-1, 4. ed.

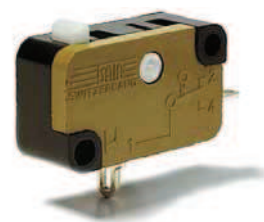
Rating 250 VAC, 26 A max.

Dimensions (mm) 27,8 × 15,9 × 10,3

Actuator

- plunger
- plain levers
- roller levers
- simulated roller levers

Approvals ENEC, UL, cUL, CSA



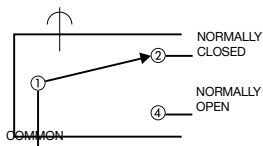
Preferred Range

Ordering Reference	Actuating Force		Operating pos.		Terminal	Circuit	Actuator	Contacts	Electrical rating	
	(N)	(ozf)	(mm)	(in)					ENEC	UL/CSA
XGG2-88Z1	3,20	11,43	14,7	0,57	Faston	CO	Plunger	Ag / AgNi10	16(6) A	15 A
XGG2-88-J23Z1	1,40	5,03	14,9	0,59	Faston	CO	Plain lever	Ag / AgNi10	16(6) A	15 A
XGG2-88-J26Z1	0,91	3,27	14,5	0,57	Faston	CO	Plain lever	Ag / AgNi10	16(6) A	15 A
XGG2-88-J27Z1	0,65	2,34	13,7	0,54	Faston	CO	Plain lever	Ag / AgNi10	16(6) A	15 A
XGG2-88-S20Z1	3,20	11,43	20,2	0,79	Faston	CO	Roller lever	Ag / AgNi10	16(6) A	15 A
XGG2-88-S21Z1	1,55	5,57	20,1	0,79	Faston	CO	Roller lever	Ag / AgNi10	16(6) A	15 A
XGG3-88Z1	3,20	11,43	14,7	0,57	Solder	CO	Plunger	Ag / AgNi10	16(6) A	15 A
XGG6-88Z1	3,20	11,43	14,7	0,57	Faston	CO	Plunger	Ag / AgNi10	16(6) A	15 A
XGC2-88Z1	0,80	2,86	14,7	0,57	Faston	CO	Plunger	Ag / AgNi10	12(6) A	10 A
XGC2-88-J23Z1	0,35	1,26	15,0	0,59	Faston	CO	Plain lever	Ag / AgNi10	12(6) A	10 A
XGC2-88-S20Z1	0,80	2,86	20,2	0,79	Faston	CO	Roller lever	Ag / AgNi10	12(6) A	10 A
XGC6-88Z1	0,80	2,86	14,7	0,57	Faston	CO	Plunger	Ag / AgNi10	12(6) A	10 A
XGK2-88Z1	1,50	5,36	14,7	0,57	Faston	CO	Plunger	Ag / AgNi10	12(6) A	12 A
XGK2-88-J26Z1	0,43	1,55	14,7	0,57	Faston	CO	Plain lever	Ag / AgNi10	12(6) A	12 A
XGK2-88-S21Z1	0,71	2,55	20,2	0,80	Faston	CO	Roller lever	Ag / AgNi10	12(6) A	12 A
XGK3-88Z1	1,50	5,36	14,7	0,57	Solder	CO	Plunger	Ag / AgNi10	12(6) A	12 A
XGK6-88Z1	1,50	5,36	14,7	0,57	Faston	CO	Plunger	Ag / AgNi10	12(6) A	12 A
XG02-88Z1	1,20	4,29	14,5	0,57	Faston	CO	Plunger	Ag / AgNi10	16(6) A	15 A
XG02-88-J27Z1	0,25	0,90	13,6	0,54	Faston	CO	Plain lever	Ag / AgNi10	16(6) A	15 A
XG02-88-S20Z1	1,20	4,29	20,1	0,79	Faston	CO	Roller lever	Ag / AgNi10	16(6) A	15 A
XG06-88Z1	1,20	4,29	14,5	0,57	Faston	CO	Plunger	Ag / AgNi10	16(6) A	15 A

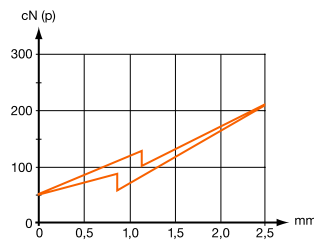
Specifications

Housing	Melamine-Formaldehyd. Thermosetting
Plunger	POM, PPS, MF depending on temperature/type
Mechanism	Snap-action, single pole beryllium bronze blade mechanism with wiping contacts
Functions	Change-over, normally-closed (except XGG and XGK) or normally-open
Contacts	Fine silver (Ag), silver nickel (AgNi10), gold-plated (Au), silver cadmium oxide (AgCdO)
Terminals	Solder, faston, screw, PCB and side mounting PCB terminals. RAST 5 terminals (5,0 mm pitch)
Temperature range °C	-40°C to +150°C
Mechanical life	2,5 · 10 ⁵ cycles minimum, 50 · 10 ⁶ cycles maximum (Actuation: sinusoidal and maximum up to 80% of the overtravel)
Protection	Enclosure IP40
Mounting	Side mounting via mounting holes
Actuators	Stainless steel

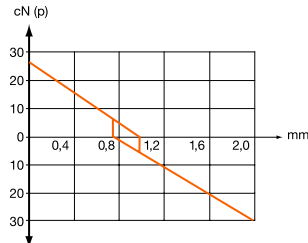
Circuit diagram



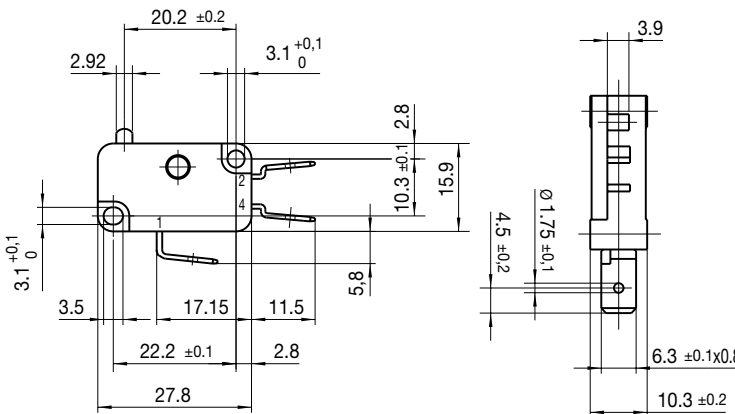
Actuating force/travel



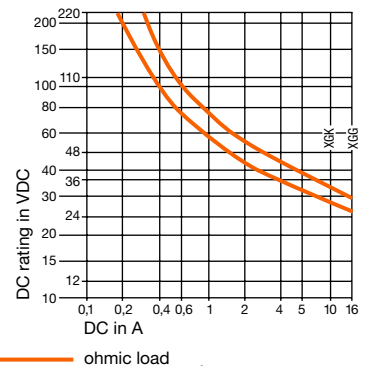
Contact force/travel



Dimensions



Maximum DC rating



Recommended maximum electrical ratings

	Voltage (VAC)	Approvals ENEC	UL	(VAC)		Voltage (VAC)	Approvals ENEC	UL	(VAC)
XGG...-88	250	16 (6) 5E4	15 A	125/250	XGT...-86	250	26 (10) 25E3	25A	125/250
XGA...-88	250	16 (6) 5E4	15 A	125/250	XGD...-86	250	22 (6) 5E4	21A	125/250
XGM...-88	250	16 (6) 5E4	15 A	125/250	XGA...-86	250	20 (8) 5E4	15A	125/250
XGO...-88	250	16 (6) 5E4	15 A	125/250	XGM...-86	250	20 (8) 5E4	15A	125/250
XGB...-88	250	12 (6) 5E4	12 A	125/250	XGO...-86	250	20 (8) 5E4	15A	125/250
XGC...-88	250	12 (6) 5E4	10 A	125/250	XGA...-86	400	10 (6) 5E4	-	-
XGH...-88	250	12 (6) 5E4	10 A	125/250	XGG...-86	400	10 (6) 5E4	-	-
XGK...-88	250	12 (6) 5E4	12 A	125/250	XGM...-86	400	10 (6) 5E4	-	-
XG....-88	400	3 (2) 5E4			XGO...-86	400	10 (6) 5E4	-	-

Ordering Reference

Basic type	XGG..	3,2 N	11,43 ozf	Example: XGG	4	2	A	-88	J20	Z1
	XGA..	3,2 N	11,43 ozf							
	XGM..	2,0 N	7,14 ozf							
	XGO..	1,2 N	4,29 ozf							
	XGK..	1,5 N	5,36 ozf							
	XGB..	1,5 N	5,36 ozf							
	XGC..	0,8 N	2,86 ozf							
	XGH..	0,45 N	1,61 ozf							
	XGD..	1,7 N	6,07 ozf							
	XGT..	3,2 N	11,43 ozf							
Circuit	No symbol, change-over (CO)									
4	Normally closed (NC)									
5	Normally open (NO)									
Terminals	2	Faston	6,3 × 0,8							
	3	Solder	1,7 × 3,2							
	4	Faston	1 × 2,8 × 0,5 DIN							
	5	Faston	1 × 2,8 × 0,5							
	6	Faston	4,8 × 0,5							
	7	Screw								
	8	Faston	1 × 2,8 × 0,8 DIN							
	9	Faston	1 × 2,8 × 0,8							
	10	Faston	4,8 × 0,8							
	11	Faston	2 × 2,8 × 0,8							
	12	Short solder	∅ 2,3							
	13	Print bent (lid)								
	14	Print bent (base)								
	15	Rast 5	6,3 × 0,8							
	19	Short solder	∅ 1,7							
Other types of terminals are available on request										
Version	ENEC		Number of operations at rated load							
	No symbol, T85		UL	Europe	UL					
A	T85		T90	50,000	6,000					
W	T150		T150	50,000	6,000					
AW	T150		T150	50,000	100,000					
B	T85		T90	10,000	6,000					
V	T125		T130	50,000	6,000					
AV	T125		T130	50,000	100,000					
C	T85		T90	25,000	6,000					
Contacts	-88	Ag / AgNi10								
	-81	Gold-plated 4 µm (Au) on Ag								
	-86	Ag / Ag CdO								
Actuators	No symbol, plunger									
	J20 ¹⁾	J40 ²⁾	Plain lever	13,5 mm						
	J22 ¹⁾	J42 ²⁾	Plain lever	24,0 mm						
	J23 ¹⁾	J43 ²⁾	Plain lever	27,8 mm						
	J27 ¹⁾	J47 ²⁾	Plain lever	60,0 mm						
	M20 ¹⁾	M40 ²⁾	Plain lever formed	14,7 mm						
	L20 ¹⁾	L40 ²⁾	Cam follower	12,8 mm						
	L21 ¹⁾	L41 ²⁾	Cam follower	26,2 mm						
	S20 ¹⁾	S40 ²⁾	Roller lever	12,8 mm						
	T20 ¹⁾	T40 ²⁾	Roller lever, 150°C version	12,8 mm						
Other actuators available on request										
¹⁾ Lever distance 8,2 (0,32) for lever position –.20, lever position (-J20, L20, S20, M20)										
²⁾ Lever distance 14,0 (0,55) for lever position –.40, lever position (-J40, L40, S40, M40)										
Approvals	No symbol, ENEC									
Z1	UL, CSA									