

V3Q

Push Button Snap-action

Momentary

SICATRON
elektronik & automation

SICATRON OHG
Pettenkoferstr. 19
58097 Hagen, Germany

Fon +49 (0) 2331 473329-0
Fax +49 (0) 2331 473329 200
<http://www.sicatron.de>

V3Q

Panel cut-out (mm)	Ø 12.7
Characteristics	<ul style="list-style-type: none"> ■ long overtravel assemblies with single or double pole options ■ IEC IP67, pre-wired option
Rating	up to 250 VAC, 10 A
Dimensions (mm)	36.5 x 33.6 x 17.3 single pole 36.5 x 33.6 x 26.2 double pole
Actuator	<ul style="list-style-type: none"> ■ plunger ■ roller plunger
Approvals	UL, CSA



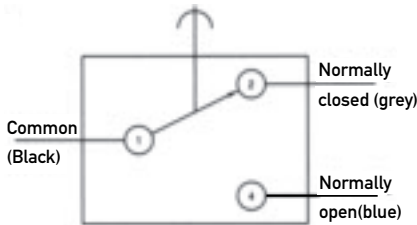
Preferred Range

Ordering Reference	Actuating Force (N)	Actuating Force (ozf)	Sealing	Operating pos. (mm)	Operating pos. (in)	Terminal	Circuit	Actuator	Contacts	Electrical rating
V3Q1UL	3.3	12.00	IP40	28,6	1,13	Screws	CO	Plunger	Ag, AgCd0	Up to 250 VAC, 10 A
V3SQ1UL	3.9	12.00	IP67	28,6	1,13	Pre-wired	CO	Plunger	Ag	Up to 250 VAC, 5 A
V3QR1UL	3.3	12.00	IP40	39,7	1,56	Screws	CO	Roller plunger	Ag, AgCd0	Up to 250 VAC, 10 A
V3SQR1UL	3.9	12.00	IP67	39,7	1,56	Pre-wired	CO	Roller plunger	Ag	Up to 250 VAC, 5 A
2V3Q1UL	8.9	32.00	IP40	28,4	1,12	Screws	CO	Plunger	Ag, AgCd0	Up to 250 VAC, 10 A
2V3Q2	8.9	32.00	IP40	47,4	1,87	Screws	CO	Plunger	Ag, AgCd0	Up to 250 VAC, 10 A

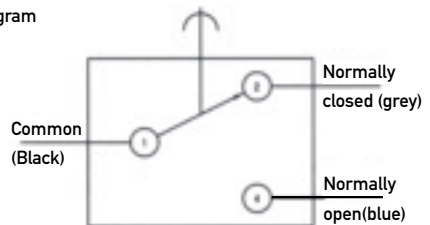
Specifications

Frame	Mild steel, zinc-plated
Sleeve	Brass
Plunger	Mild steel, zinc-plated
Roller	Nylon
Mechanism	V3Q, V3SQ - Single pole change-over / 2V3Q - Double pole change-over
Contacts	Silver, silver cadmium oxide
Terminals	V3Q, 2V3Q - M3 screws and lockwashers / V3SQ - pre-wired
Temperature range	-10°C to +85°C
Mechanical life	10 ⁶ cycles minimum (impact free actuation)
Type of protection	V3Q, 2V3Q - IP40 (enclosure) / V3SQ - IP67 (enclosure)
Mounting	Panel mounting - threaded plunger sleeve
Cables	V3SQ only - PVC 0.5M (19.7 in) long
Cowl	V3SQ only - silicone rubber

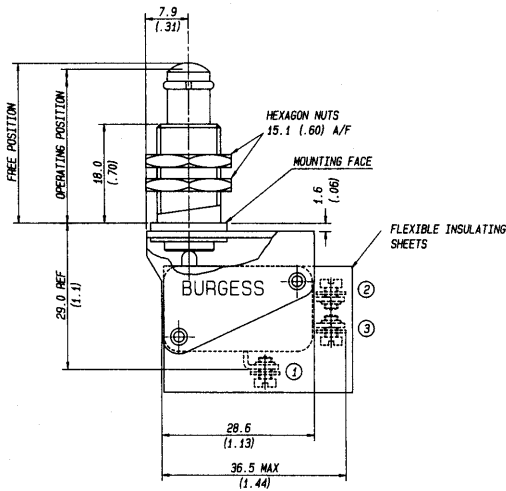
Circuit diagram
V3Q



Circuit diagram
V3SQ



Dimensions



Recommended maximum electrical ratings

	Voltage (max)	Load (A)	Approval
V3Q / 2V3Q	250 VAC	10 (0.75 pf)	UL 1054/CSA 22.2 No. 55 - 6,000 operations (85°C)
	125 VAC	-	UL 1054/CSA 22.2 No. 55 - 6,000 operations (85°C)
	0 - 15 VDC	10	General rating - 50,000 operations (85°C)
	15 - 30 VDC	7	General rating - 50,000 operations (85°C)
V3SQ	125 VAC	5 (0.75 pf)	UL 1054/CSA 22.2 No. 55 - 6,000 operations (85°C)
	250 VAC	5 (0.75 pf)	UL 1054/CSA 22.2 No. 55 - 6,000 operations (85°C)
	250 VAC	5	EN61058-1, T85, 10,000 operations
	0 - 15 VDC	6	General rating - 50,000 operations (85°C)
	15 - 30 VDC	3	General rating - 50,000 operations (85°C)

V3Q

Operating Characteristics

Actuator	Reference	Actuating Force		Release Force		Free Position		Operating Position		Movement Differential		Overtravel	
		Maximum (N)	(ozf)	Minimum (N)	(ozf)	Maximum (mm)	(in)	(mm)	(in)	(mm)	(in)	(mm)	(in)
Q1 plunger	V3Q1UL	3,3	12,00	1,1	4	31	1,22	28,6 ± 1,5	1,13 ± 0,06	0,4	0,016	4,60	0,18
	V3SQ1UL	3,9	14,00	1,1	4	31	1,22	28,6 ± 1,5	1,13 ± 0,06	0,4	0,016	4,60	0,18
Q roller plunger	QR1UL	3,3	12,00	1,1	4	42	1,65	39,7 ± 1,5	1,56 ± 0,06	0,4	0,016	4,75	0,19
	SQR1UL	3,4	14,00	1,1	4	42	1,65	39,7 ± 1,5	1,56 ± 0,06	0,4	0,016	4,75	0,19
Q1 plunger	2V3Q1UL	8,9	32,00	4,5	16	31	1,22	28,4 ± 1,5	1,12 ± 0,06	1,2	0,05	3,8	0,15
Q2 Plunger	2V3Q2	8,9	32,00	4,5	16	50	1,96	47,4 ± 1,5	1,87 ± 0,06	1,2	0,05	12,1	0,48

Type coding key for standard products

Basic type	V3Q V3SQ 2V3Q	Example: V3Q	1	UL
Actuators	1 Plunger - sleeve length 18 mm (0.7 in): available with V3Q, V3SQ, 2V3Q R1 Roller plunger: available with V3Q, V3SQ 2 Plunger - sleeve length 29 mm (1.14 in): available with 2V3Q only			
Approvals	UL UL, CSA			