

Emergency-stop button with turn and key release

SNA

Tamper-resistant according to EN 418
Protection class IP 65



Every moving part of plant or machinery should be brought to a halt as soon as there is danger to man or machine. The trigger for this often life-saving action can be, in addition to electronic safety equipment, the emergency-stop button. The SNA product range fulfills all safety relevant requirements, for example, an automatic latch as soon as the clearly defined pressure point is exceeded. The control device locks itself into an off position, the contacts of switching device open simultaneously. They thereby fulfil all the requirements of EN 418 "Emergency-Stop Devices", i.e. each operation of the emergency-stop button is latched, and is preceded by the opening of the safety contacts.

No manipulation can lead to the contacts being closed again. The button is released by turning the key or the mushroom-head slam button. The specially formed slam button cannot be blocked by any objects positioned under the button.

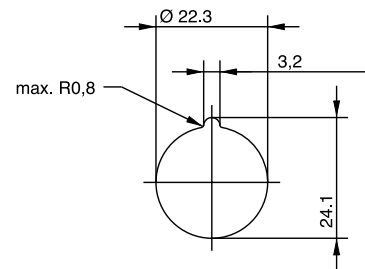
- Tamper-proof according to EN 418
- Red Ø 37 mm latching push button, released by turning in direction of arrow or by turning key in direction of arrow.
- Standard design front fitting
 - 1 normally-closed contact ⊕
 - Standard design enclosure assembly
 - 1 normally-closed contact ⊕,
 - 1 normally-open contact
 - Extending possible by mounting further NO/NC devices, max. 3 elements.
- Terminal labelling according to DIN EN 50013
- Terminal cross-section:
 - Solid core: 0.50 mm² to 2.5 mm²
 - Stranded core: 0.75 mm² to 1.5 mm²
 - Stranded core with wire-end ferrules: 0.50 mm² to 2.5 mm²
- Materials: (UL-listed plastics, Cd-free)
 - Control device: PA 6, PA 12, PC
 - Switching devices: PC, PA 6.6 self-extinguishing
 - Contact material: Ag-Ni compound
 - Built-on enclosure, yellow PC
- Cable entries/knockouts on base
- Protection class IP 65 according to IEC 529
- International certification: UL, CSA

Complete devices for front installation

Construction:
The switching contacts are clipped on the button assembly by means of a latching bar through the front adapter.

Mounting:

Mounting hole



Mounting hole with notch to prevent rotation according to IEC 947-5-1. Mounting hole without rotation protection can be accomplished by removing the lug from the attachment elements. The grid dimensions for the emergency-stop button should measure at least 40 x 50 mm.

Complete devices with enclosure

Construction:
The different switching elements are locked onto the standard base adaptors in the enclosure. This allows wiring to be connected independently from the control device.

Mounting enclosure:
2 x M5 screws for safety devices without additional fixing, and 2 additional M5 screws for adjustment purposes in both horizontal directions.

Emergency-stop button with turn and key release for front-side mounting

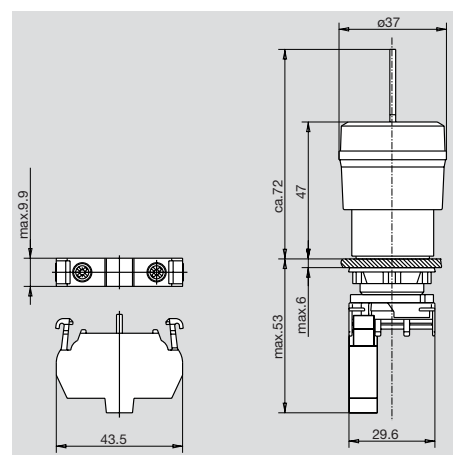
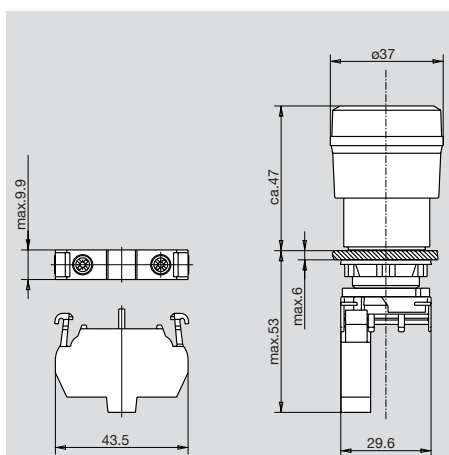
SNA

Tamper-resistant according to EN 418
Protection class IP 65



Designation	SNA-A1Z P	SNA-A1Z K
Part number	601.9169.001	601.9169.002
Switching diagram		
⊕ positive break according to IEC 947-5-1 Chap. 3		
Slow-action contact/snap-action contact	⊕ ●/-	⊕ ●/-
Lock-in function	●	●
Turn-to-release/key-release	●/-	-/●
Contact travel mm	approx. 6 mm	6 mm
Actuating force	≤ 70 N	≤ 70 N
Rated voltage isolation U_i	660 V	660 V
Rated thermal current I_{th}	10 A	10 A
Making current acc. to IEC 947-5-1 AC 15/DC 13		
Mech. operating life – Number of switching cycles	0.5×10^5	0.5×10^5
Ambient temperature min./max.	- 25 °C/+ 60 °C - 13 °F/+ 140 °F	- 25 °C/+ 60 °C - 13 °F/+ 140 °F
Approvals	UL, CSA, GL, VDE	UL, CSA, GL, VDE
Weight	0.06 kg	0.08 kg
Delivery: ex-stock/built to order	●/-	●/-

All dimensions in mm



Emergency-stop button with turn and key release complete with enclosures

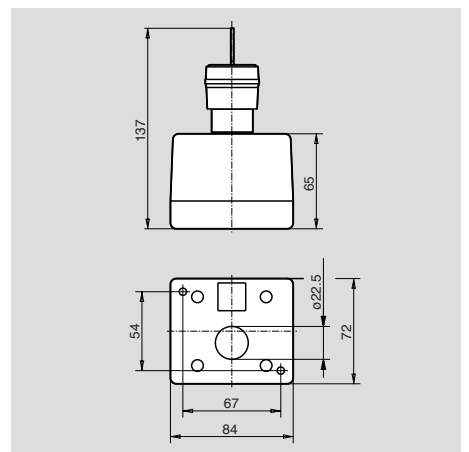
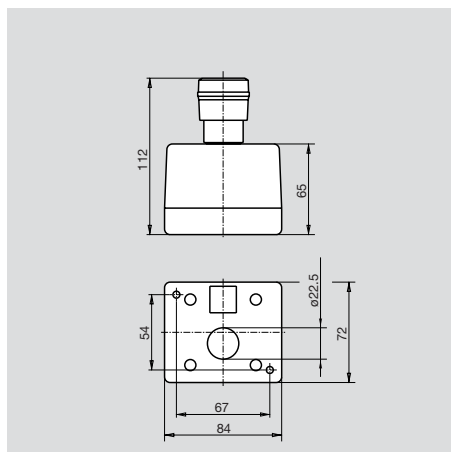
SNA

Tamper-resistant according to EN 418
Protection class IP 65



Designation	SNA-A1Z/E1 AP	SNA-A1Z/E1 AK
Part number	601.9169.003	601.9169.004
Switching diagram		
⊕ positive break according to IEC 947-5-1 Chap. 3	⊕	⊕
Slow-action contact/snap-action contact	●/-	●/-
Lock-in function	●	●
Turn-to-release/key-release	●/-	-/●
Contact travel mm	approx. 6 mm	6 mm
Actuating force	≤ 70 N	≤ 70 N
Rated voltage isolation U_i	660 V	660 V
Rated thermal current I_{th}	10 A	10 A
Making current acc. to IEC 947-5-1 AC 15/DC 13		
Mech.operating life – Number of switching cycles	$0,5 \times 10^5$	$0,5 \times 10^5$
Ambient temperature min./max.	- 25 °C/+ 60 °C - 13 °F/+ 140 °F	- 25 °C/+ 60 °C - 13 °F/+ 140 °F
Approvals	VDE	VDE
Weight	0.23 kg	0.25 kg
Delivery: ex-stock/built to order	●/-	●/-

All dimensions in mm



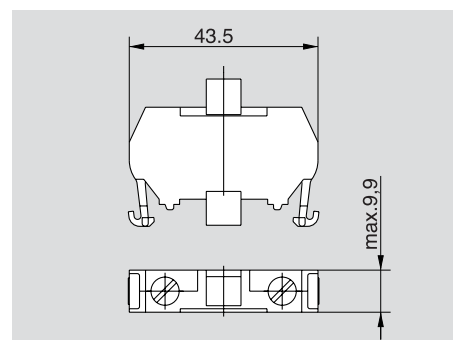
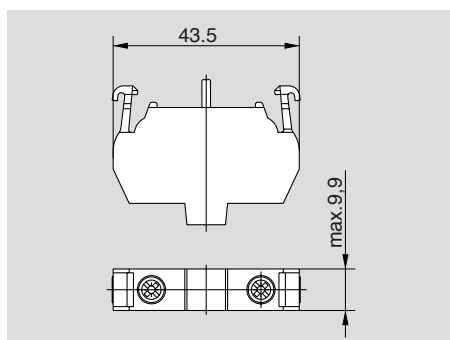
Accessories

Switching elements for emergency stop button

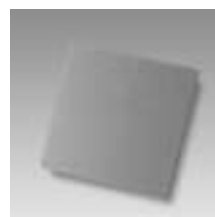


For type range	Emergency stop button Front attachment	Emergency stop button Front attachment	Emergency stop button Built-on enclosure	Emergency stop button Built-on enclosure
Part number	601.9169.005	601.9169.006	601.9169.007	601.9169.008
Slow-action contact/snap-action contact	●/-	●/-	●/-	●/-
Switching diagram				
⊕ positive break according to IEC 947-5-1 Chap. 3	⊕		⊕	
Contact travel mm (inch)				
Delivery: ex-stock/built to order	●/-	●/-	●/-	●/-

All dimensions in mm



Accessories



Legend plate for emergency-stop button/front-side attachment
Self-adhesive, yellow
Protection class IP 65 is guaranteed after the removal of the protective film

Legend plate for emergency-stop button/built-on encl.
Plastic (alu-coated)
self-adhesive, not labelled

For type range	Emergency stop button Front-side mounting Ø 45 mm	Emergency stop button Front-side mounting Ø 60 mm	Emergency stop button Front-side mounting Ø 90 mm	Emergency stop button Built-on enclosures 19 x 19 mm
Label language	Part number			
without labelling	321.4000.037	321.4000.041	321.4000.045	321.4000.049
NOT-AUS	321.4000.038	321.4000.042	321.4000.046	
Emergency Stop	321.4000.039	321.4000.043	321.4000.047	
ARRET D'URGENCE	321.4000.040	321.4000.044	321.4000.048	
Delivery: ex-stock/ built to order	●/-	●/-	●/-	●/-