

## KB5

Characteristics

- positive-action forced double break switching
- > 3 mm contact gap at full travel
- high electrical rating
- faston terminals

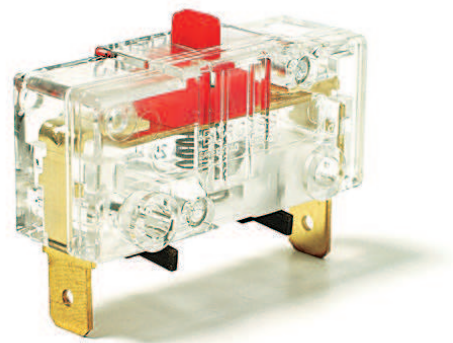
Rating Up to 250 VAC, 20 A

Dimensions (mm) 41 × 19,5 × 15.5

Actuator

- plunger
- plain lever
- roller levers

Approvals ULS, CSA



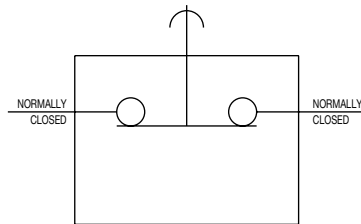
## Preferred Range

Ordering Reference	Actuating Force (N) (ozf)		Sealing	Operating pos (mm) (in)		Terminal	Circuit	Actuator	Contacts	Electrical rating
KB5FULS	3.00	10.0	IP40	16.8	0.66	Faston	NC	Plunger	Ag	Up to 250 VAC, 20 A
KB5FKULS	2.25	8.0	IP40	19.2	0.76	Faston	NC	Plain lever	Ag	Up to 250 VAC, 20 A
KB5FKRULS	2.25	8.0	IP40	31.0	1.22	Faston	NC	Roller lever	Ag	Up to 250 VAC, 20 A

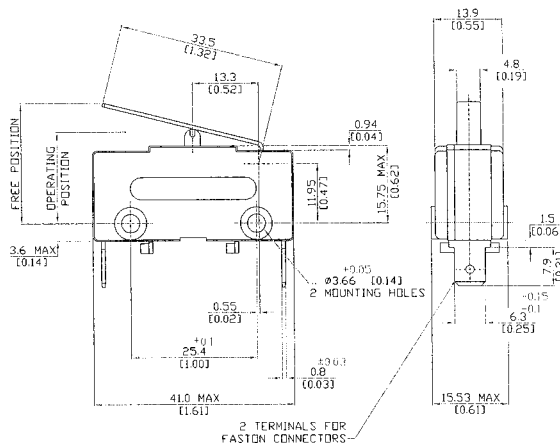
## Specifications

Housing	Polycarbonate
Plunger	Nylon
Mechanism	Single pole, double break, positive action
Functions	Normally closed
Contacts	Fixed – silver, Moving – silver cadmium oxide
Terminals	6.3 mm (0.25 in) faston, brass
Temperature range	-40°C to +85°C
Mechanical life	10 <sup>7</sup> cycles minimum, impact-free actuation
Protection	IP40 (enclosure)
Mounting	Side mounting
Actuators	Plain lever - stainless steel, roller lever - stainless steel, nylon roller
Approvals	UL and CSA

Circuit diagram



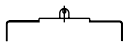
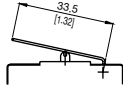
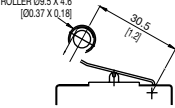
Dimensions



## Recommended maximum electrical ratings

Voltage (max)	Resistive load (A)	Inductive load	Horsepower	Approval
250 VAC	20 (0.75 pf)	-	-	ULS 1054/CSA 22.2 No. 55 - 100,000 operations
250 VAC	-	-	2 HP	ULS 1054 - Horsepower - 6,000 operations
125 VAC	-	-	1 HP	ULS 1054 - Horsepower - 6,000 operations
0 - 15 VDC	15	-	-	General rating - 50,000 operations
15 - 30 VDC	10	-	-	General rating - 50,000 operations

## Operating Characteristics

Actuator	Reference	Actuating Force	Operation Position	Free Position Maximum (mm)	Contact gap at total travel					
		(N)	(ozf)		Minimum (in)	(mm)				
Plunger 	KB5FULS	3,00	10,8	16,8	0,66	19,3	0,76	2 T 3.0	2 T 0.12	
1 At contact separation of 2 × 1,5 mm										
K Lever 	KB5FKULS	2,25	8,0	19,2	0,76	26,0	1,02	2 T 3.0	2 T 0.12	
KR Lever 	KB5FKRULS	2,25	8,0	31,0	1,22	36,5	1,40	2 T 3.0	2 T 0.12	

Recommended minimum contact separation 2 × 1,5 mm (2 × 0,6) indicated when groove in plunger lines up with case. Operating characteristics are specified from mounting holes.

Total travel: Plunger can be depressed flush with housing. The housing should not be used as an end stop.

## Ordering Reference

Basic type	KB5	Example: KB5	F	K	ULS
Terminals	F	Faston 6.3 × 0.8 mm			
Actuators	No symbol, without lever K Plain lever 33.5 mm KR Roller lever 30.5 mm				
Approvals	ULS	UL 100 k operations and CSA approved			
Special Features	/□□□□	Burgess specialise in customer specific solutions. Additional product variants are available or can be provided. If your requirements cannot be satisfied from the options listed, please contact us.			